



# NOAW MEAT SLICERS



**COMMERCIAL FOOD SLICERS**

**Made in Italy** 

Distributed by:

**ROBAND** 

**2** YEAR  
WARRANTY  
\*Terms & conditions apply  
ROBAND AUSTRALIA



# COMMERCIAL FOOD SLICERS

## Made in Italy

**2 YEAR WARRANTY**  
\*Terms & conditions apply.  
ROBAND AUSTRALIA

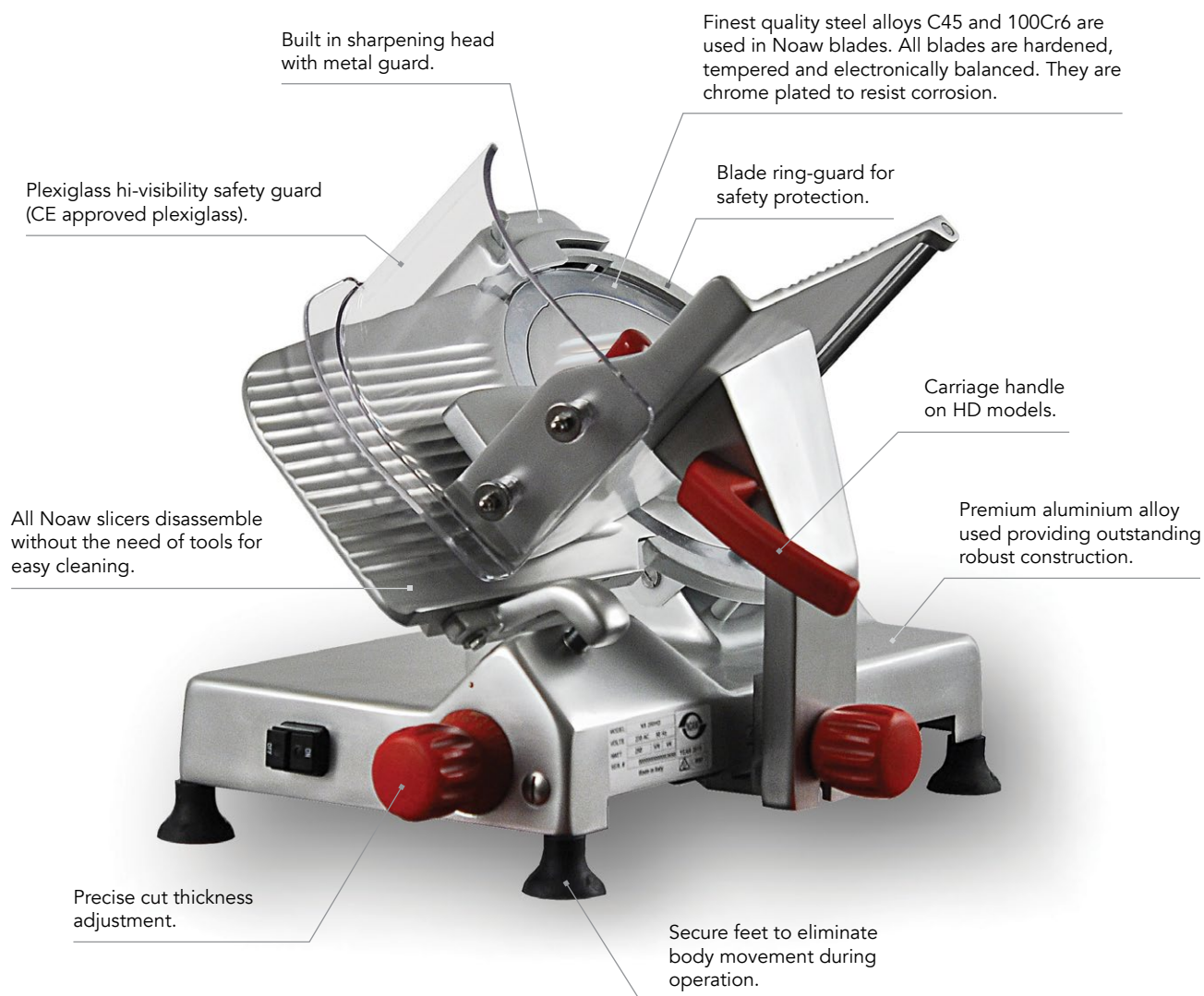


MODEL NS 250  
VOLTS 230 AC 50 Hz  
WATT 180 VN V7  
SER. # 000000000002566  
Made in Italy



# A Rich Heritage

With over 50 years' experience, Noaw is a leading manufacturer of professional slicing machines. It's Italian manufacturing facility is equipped with the most technologically advanced production machinery and processes so as to guarantee the highest quality and reliability of slicers available.



# Manual Gravity Feed Slicers - Medium Duty

This series is designed for smaller shops, deli's, cafés and restaurants with shorter runs and will slice a variety of product with ease and offer many years of dependable service.

Three medium-duty, manual gravity-feed slicers are available featuring a compact one-piece anodized aluminium body and built in sharpening head and blade ring-guard. The slicer disassembles quickly without the need of tools for easy cleaning.

- Manual carriage operation
- Medium duty construction for smaller shops and moderate volumes
- Belt driven

## Model NS220

Blade Diameter	220 mm
Height of Cut	155 mm
Length of Cut	185 mm
Cutting Capacity Diameter	Ø 155 mm
Slice Thickness	0 - 13 mm
Blade Speed	290 RPM
Angle of Feed	25°
Motor Power	180 Watts (load dependent)
Net Weight	14.5 kg



## Model NS250

Blade Diameter	250 mm
Height of Cut	170 mm
Length of Cut	205 mm
Cutting Capacity Diameter	Ø 175 mm
Slice Thickness	0 - 13 mm
Blade Speed	290 RPM
Angle of Feed	25°
Motor Power	180 Watts (load dependent)
Net Weight	16 kg



## Model NS300

Blade Diameter	300 mm
Height of Cut	210 mm
Length of Cut	230 mm
Cutting Capacity Diameter	Ø 210 mm
Slice Thickness	0 - 12 mm
Blade Speed	310 RPM
Angle of Feed	45°
Motor Power	250 Watts (load dependent)
Net Weight	20 kg



# Manual Gravity Feed Slicers - Heavy Duty

Three heavy-duty, manual-feed, belt-driven machines are available. Featuring a built in sharpening head and blade ring-guard, the machines are also easy to disassemble without tools for thorough cleaning.

Heavy duty slicers offer a larger one-piece anodized aluminium base and the use of more robust components than the medium duty slicers. The machines are designed for handling larger volumes and offer more powerful motors than the equivalent (blade size) medium duty slicer. Furthermore, an additional ergonomic handle along with double roller bearings provide smoother and easier carriage movement.

This series is designed for larger deli's, restaurants and supermarkets and will slice all types of meat for long periods with ease and offer many years of dependable service.

- Manual carriage movement
- Heavy duty, robust construction for handling large volume and loads
- Belt driven

## Model NS250HD

Blade Diameter	250 mm
Height of Cut	170 mm
Length of Cut	235 mm
Cutting Capacity Diameter	Ø 175 mm
Slice Thickness	0 - 12 mm
Blade Speed	310 RPM
Angle of Feed	45°
Motor Power	250 Watts (load dependent)
Net Weight	19 kg



## Model NS300HD

Blade Diameter	300 mm
Height of Cut	215 mm
Length of Cut	270 mm
Cutting Capacity Diameter	Ø 215 mm
Slice Thickness	0 - 14 mm
Blade Speed	280 RPM
Angle of Feed	45°
Motor Power	370 Watts (load dependent)
Net Weight	29 kg



## Model NS350HD

Blade Diameter	350 mm
Height of Cut	235 mm
Length of Cut	265 mm
Cutting Capacity Diameter	Ø 240 mm
Slice Thickness	0 - 14 mm
Blade Speed	280 RPM
Angle of Feed	45°
Motor Power	370 Watts (load dependent)
Net Weight	36 kg



# Manual Vertical Slicer

The belt driven vertical slicer has been specifically designed for shaving and slicing delicate cold cured meats. The machine features a double sliding plate with a lockable hand grip sliding on two vertical columns to ensure easy manoeuvrability. The spikes on the plate and meat grip hold the meat securely in place and ensure consistent shaving.

Manufactured from anodized aluminium with clean lines, it has a built-in sharpening head and blade ring-guard. The slicer disassembles quickly without the need of tools for easy cleaning.

- Vertical blade positioning and horizontal meat carriage
- Ideal for shaving delicate meat
- Belt driven

## Model NS300V

Blade Diameter	300 mm
Height of Cut	210 mm
Length of Cut	265 mm
Slice Thickness	0 - 12 mm
Blade Speed	310 RPM
Angle of Feed	Straight
Motor Power	370 Watts (load dependent)
Net Weight	31 kg



# Manual Gravity Feed Gear Driven Slicer - Heavy Duty

The gravity feed gear driven slicer has been designed to effortlessly handle heavy loads like cheese, bacon and meat that might cause slipping of a belt driven machine.

Manufactured from anodized aluminium with clean lines, the machine features a built-in sharpening head and blade ring-guard.

An ideal machine for high volume work required of large restaurants, supermarkets, delicatessens and butcher shops.

- Manual carriage operation
- Ideal for heavy loads like cheese and for high volume output
- Gear driven

## Model NS350HDG

Blade Diameter	350 mm
Height of Cut	260 mm
Length of Cut	300 mm
Cutting Capacity Diameter	Ø 260 mm
Slice Thickness	0 - 22 mm
Blade Speed	210 RPM
Angle of Feed	38°
Motor Power	370 Watts (load dependent)
Net Weight	48 kg



## Semi-Automatic Slicer - Heavy Duty

The semi-automatic gravity feed belt driven slicer is designed for volume cutting and features two independent motors, one for blade rotation and the other for carriage movement. The slicer can be used either manually or with automatic operation. In the automatic mode, three carriage movement lengths can be selected to suit the size of the product and three carriage speeds can be selected to suit the delicacy of food being sliced.

Manufactured from anodized aluminium with clean lines, the slicer features a built-in sharpening head and blade ring-guard. The clever design enables quick disassembly for cleaning, without the need for tools.

The NS350HDS is suited to large restaurants, supermarkets, delicatessens and butcher shops where high volume slicing is required for different varieties of meats.

- Semi-automatic or manual operation
- Control panel with basic variable selection of carriage speed and length of cut
- Belt driven

### Model NS350HDS

Blade Diameter	350 mm
Height of Cut	240 mm
Length of Cut	255 mm
Cutting Capacity Diameter	Ø 235 mm
Slice Thickness	0 - 14 mm
Blade Speed	300 RPM
Slices per minute	min 35 - max 58
Angle of Feed	45°
Motor Power	390 Watts (load dependent)
Net Weight	46 kg



# Fully Automatic Slicer - Heavy Duty

The fully automatic gravity feed belt driven slicer takes the hard work out of slicing. It is fast, clean, precise and very easy to operate and features two independent motors, one for blade rotation and the other for carriage movement.

The intuitive touch control panel allows for the selection of the number of cuts required as well as multiple options for the blade speed, carriage speed and the length of the carriage movement allowing you total control over the quality of your cuts with efficient operation. The machine can also be used in manual mode if required.

Manufactured from anodized aluminium with clean lines, the slicer features a built-in sharpening head and blade ring-guard. The clever design enables quick disassembly for cleaning, without the need for tools.

The NS350HDA is suited to large restaurants, supermarkets, delicatessens and butcher shops where high volume slicing of a variety of meat types is required and precise control of the automatic slicing feature is necessary.

Optional model NS350HDX is available with factory fitted speedy blade remover device to ensure absolute safety should the blade ever need to be removed for maintenance. See features on page 14.

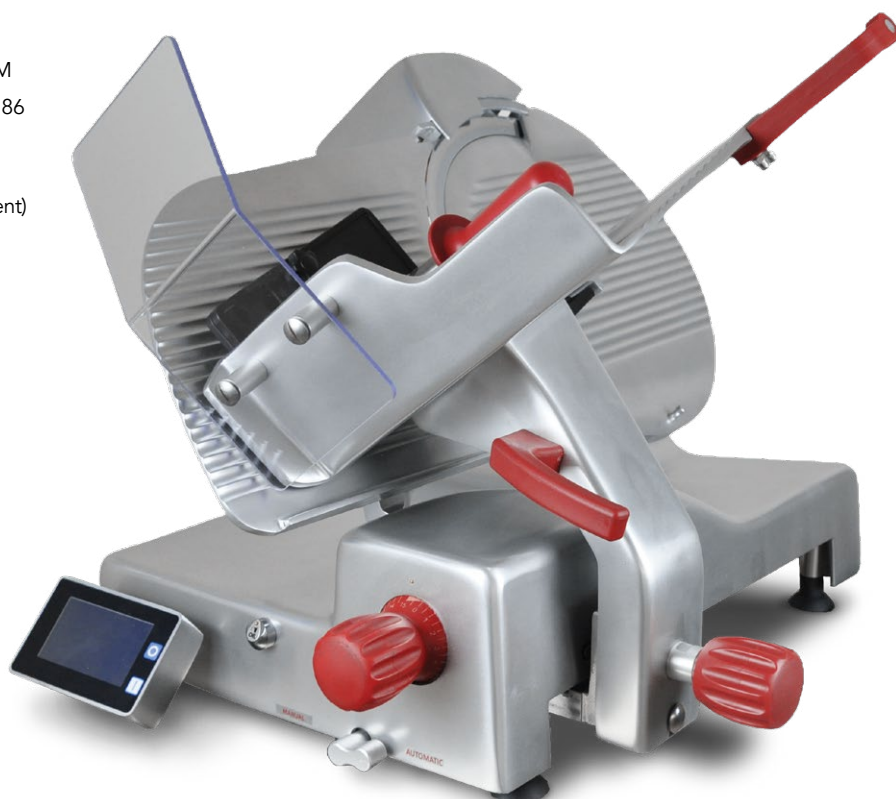
- Fully automatic or manual operation
- Modern touch panel providing variable blade speed, carriage speed & carriage length
- Pre-selection of slice quantity desired
- Belt driven

## Model NS350HDA

Blade Diameter	350 mm
Height of Cut	250 mm
Length of Cut	280 mm
Cutting Capacity Diameter	Ø 250 mm
Slice Thickness	0 - 20 mm
Blade Speed	210 - 280 RPM
Slices per minute	min 25 - max 86
Angle of Feed	38°
Motor Power	570 Watts (load dependent)
Net Weight	62 kg



Modern touch panel providing variable blade speed, carriage speed & carriage length.



NS350HDA

## Retro Flywheel Slicer

- A showpiece vertical slicer that is beautifully crafted for easy manual operation
- Ideal for shaving and slicing delicate cold cut meats like prosciutto
- Fully manual operation of the blade
- Gear driven

### Model NS330M

Blade Diameter	330 mm
Height of Cut	235 mm
Length of Cut	295 mm
Cutting Capacity Diameter	Ø 235 mm
Slice Thickness	0 - 1.5 mm
Angle of Feed	Straight
Net Weight	62 kg

### Model NSCIS

Optional cast iron stand

Height	790 mm
Table surface	600 mm x 480 mm
Net weight	70 kg

With stunning design, the Retro Flywheel Slicer is a premium quality fully manual slicer producing artisan results. Constructed from stainless steel and aluminium, featuring an alloy steel blade (100Cr6) perfectly balanced and chrome plated, the slicer's robust construction complements the striking red enamel finish.

The meat table and blade movements are fully co-ordinated and geared to the hand rotation of the flywheel such that one rotation of the flywheel produces multiple turns of the blade. Additionally, as the flywheel turns, the carriage proportionately moves the food being sliced towards the blade. A double sliding plate with a lockable hand grip securely holds the meat in place to ensure consistent shaving.

The slicer has been designed with ease of cleaning in mind. The space between the blade and the head is easily accessible to enable regular cleaning. A quick release meat table makes removal easy.

The Retro Flywheel Slicer is truly beautiful to own and operate.



## Retro Flywheel Slicer - Red

- Retro look vertical slicer with an intricate flywheel design
- Ideal for shaving and slicing delicate cold cut meats like prosciutto
- Easy to clean due to large spaces between the blade and the head
- Fully manual operation of the blade
- Gear driven

### Model NS300M

Blade Diameter	300 mm
Height of Cut	210 mm
Length of Cut	250 mm
Cutting Capacity Diameter	Ø 210 mm
Slice Thickness	0 - 1.5 mm
Angle of Feed	Straight
Net Weight	45 kg

### Model NSCIS-300M

Optional cast iron stand to suit red Retro flywheel slicer NS300M

Height	790 mm
Table surface	500 mm x 350 mm
Net weight	54 kg



## Retro Flywheel Slicer - Black

- Retro look vertical slicer with an intricate flywheel design
- Ideal for shaving and slicing delicate cold cut meats like prosciutto
- Easy to clean due to large spaces between the blade and the head
- Fully manual operation of the blade
- Gear driven

### Model NS300MB

Blade Diameter	300 mm
Height of Cut	210 mm
Length of Cut	250 mm
Cutting Capacity Diameter	Ø 210 mm
Slice Thickness	0 - 1.5 mm
Angle of Feed	Straight
Net Weight	45 kg

**NOTE:** NS300MB is indent order only

### Model NSCIS-300MB

Optional cast iron stand to suit black Retro flywheel slicer NS300MB

Height	790 mm
Table surface	500 mm x 350 mm
Net weight	54 kg

**NOTE:** NSCIS-300MB is indent order only



## Retro Flywheel Slicer - Red

- Retro look vertical slicer with an intricate flywheel design
- Ideal for shaving and slicing delicate cold cut meats like prosciutto
- Large cutting capacity concentrated in a very compact slicer
- Fully manual operation of the blade
- Gear driven

### Model NS320M

Blade Diameter	320 mm
Height of Cut	225 mm
Length of Cut	280 mm
Cutting Capacity Diameter	Ø 225 mm
Slice Thickness	0 - 1.5 mm
Angle of Feed	Straight
Net Weight	46 kg

### Model NSCIS-320M

Optional cast iron stand to suit red Retro flywheel slicer NS320M

Height	790 mm
Table surface	565 mm x 340 mm
Net weight	64 kg



## Retro Flywheel Slicer - Black

- Retro look vertical slicer with an intricate flywheel design
- Ideal for shaving and slicing delicate cold cut meats like prosciutto
- Large cutting capacity concentrated in a very compact slicer
- Fully manual operation of the blade
- Gear driven

### Model NS320MB

Blade Diameter	320 mm
Height of Cut	225 mm
Length of Cut	280 mm
Cutting Capacity Diameter	Ø 225 mm
Slice Thickness	0 - 1.5 mm
Angle of Feed	Straight
Net Weight	46 kg

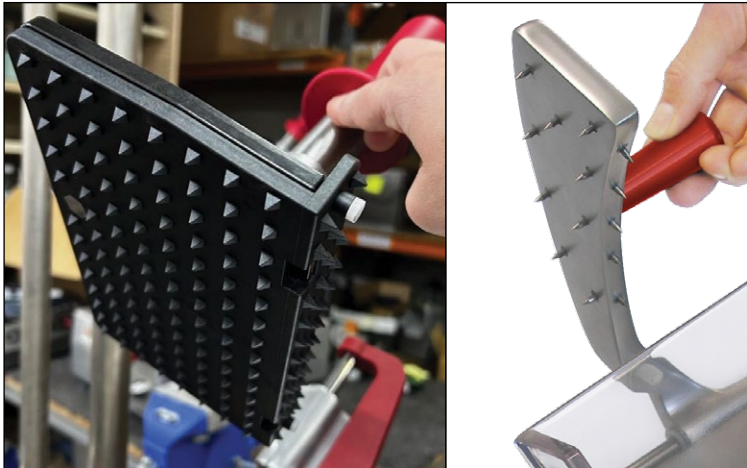
### Model NSCIS-320MB

Optional cast iron stand to suit black Retro flywheel slicer NS320MB

Height	790 mm
Table surface	565 mm x 340 mm
Net weight	64 kg



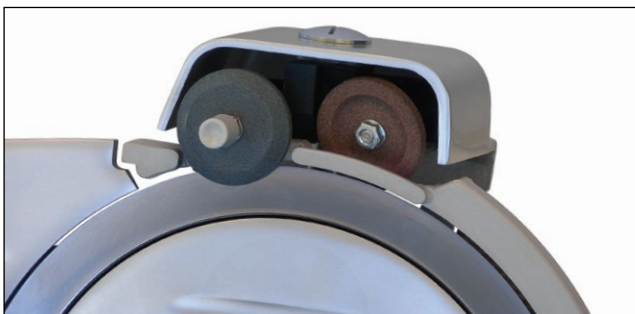
## Features - All Models



Nylon spiked meat grip for firm control of food product on automatic models. Image on right shows alloy grip. Style varies between models.



Precise slice thickness adjustment knob.



Built in sharpening head with durable aluminium cover on all models. Style varies between models.



Rear blade deflection for consistent product positioning and cleaner operation. Style varies between models.



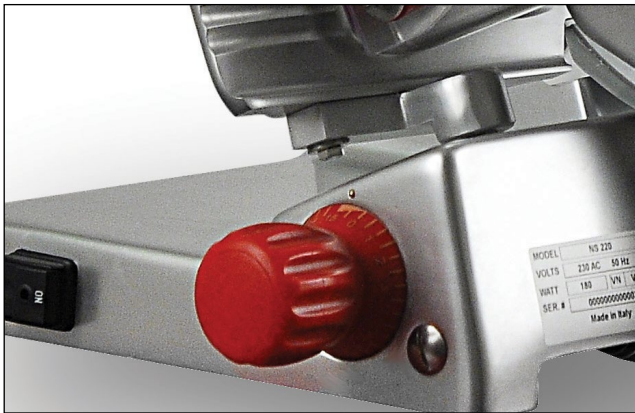
Full blade edge ring-guard for complete protection even while cleaning. Style varies between models.



A 20ml bottle of food grade lubrication oil is included in the product box for use on internal mechanisms for all models.

# Features - Specific by Model

## Medium Duty Slicers



Medium duty base.

## Heavy Duty Slicers



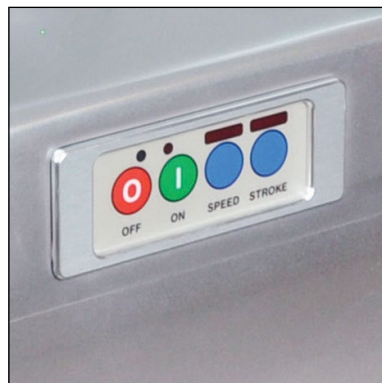
Heavy duty base has larger carriage, more powerful motor, double roller bearing for carriage & carriage handle.

## Fully Automatic Slicer



Modern touch panel providing variable blade speed, carriage speed & carriage length.

## Semi-automatic Slicer



Simple electronic control panel for semi-automatic operation.

## All Angled Slicers



Tough clear Plexiglass guard with lip to protect fingers and contamination from sneezing/coughing.

## Vertical Slicers



NS300V, NS300M/MB, NS320M/MB and NS330M - feature double sliding plate with lockable hand grip to securely hold meat in place.

## Premium Fully Automatic Slicer - NS350HDX



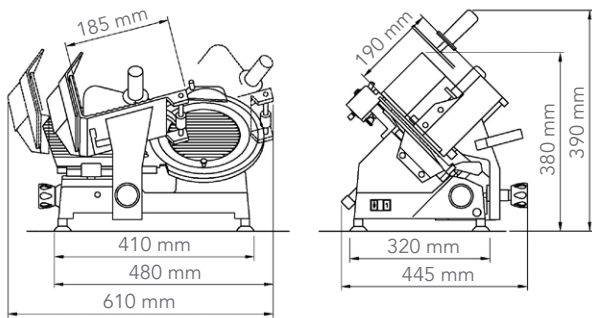
Premium model NS350HDX is available with factory fitted speedy blade remover guard.

# Dimensions

All dimensions are nominal and horizontal dimensions show full carriage movement.

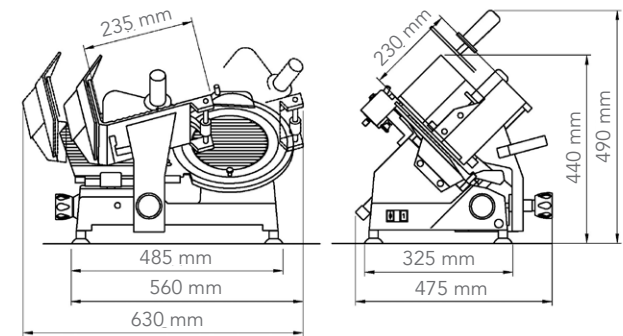
## Manual Gravity Feed Slicers - Medium Duty

Model NS220

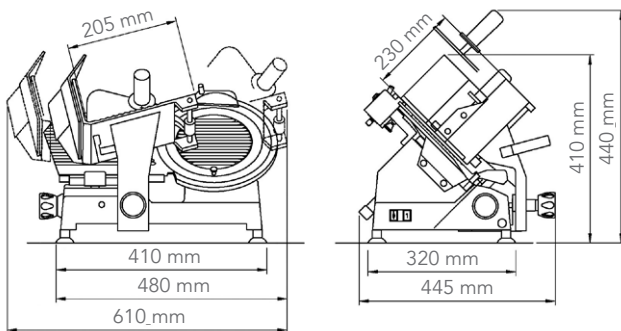


## Manual Gravity Feed Slicers - Heavy Duty

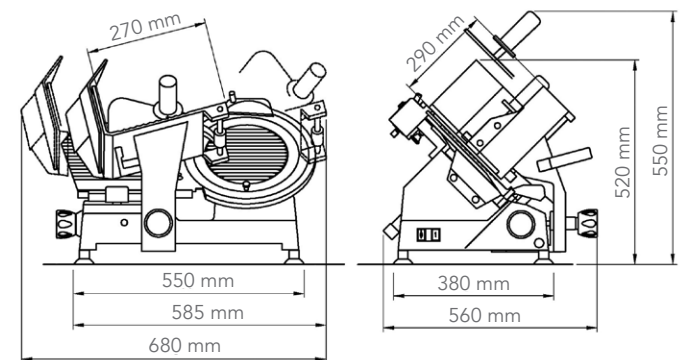
Model NS250HD



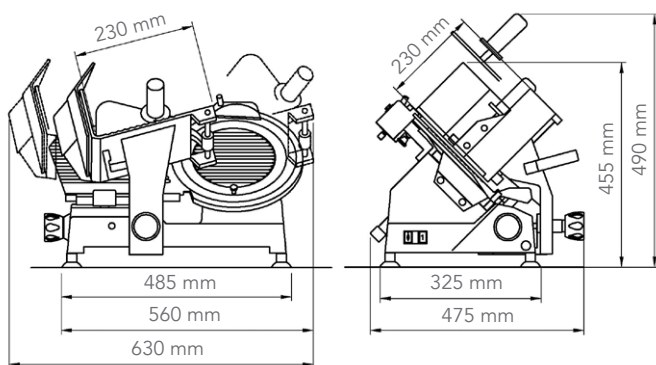
Model NS250



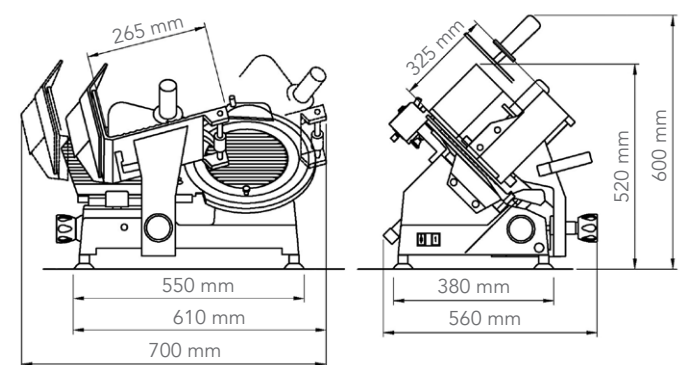
Model NS300HD



Model NS300



Model NS350HD

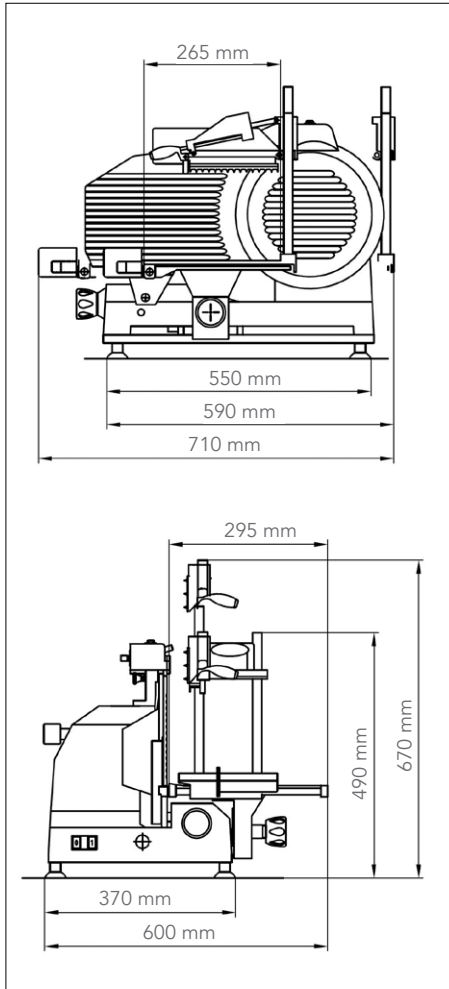


# Dimensions

All dimensions are nominal and horizontal dimensions show full carriage movement.

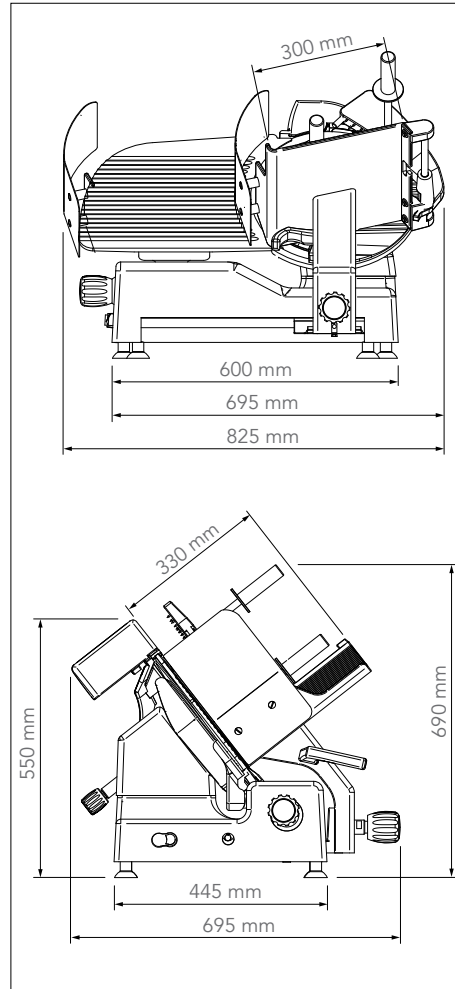
## Manual Vertical Slicer

Model NS300V



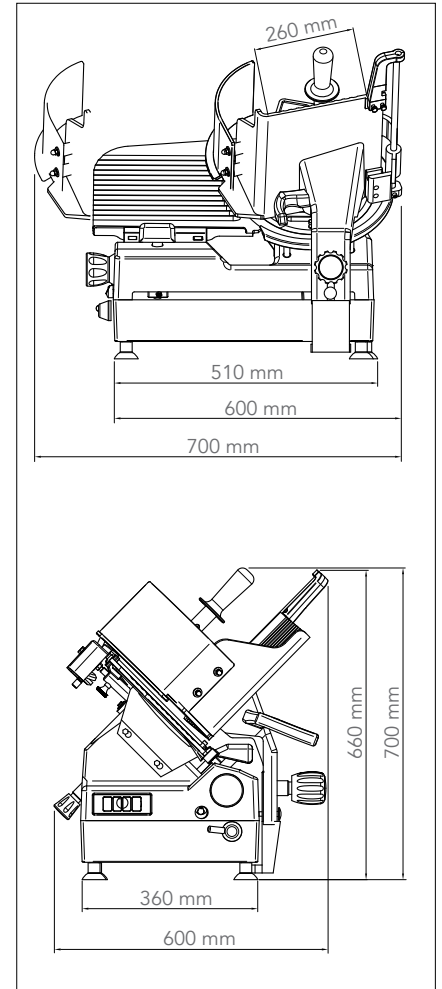
## Manual Gravity Feed Gear Driven Slicer - Heavy Duty

Model NS350HDG



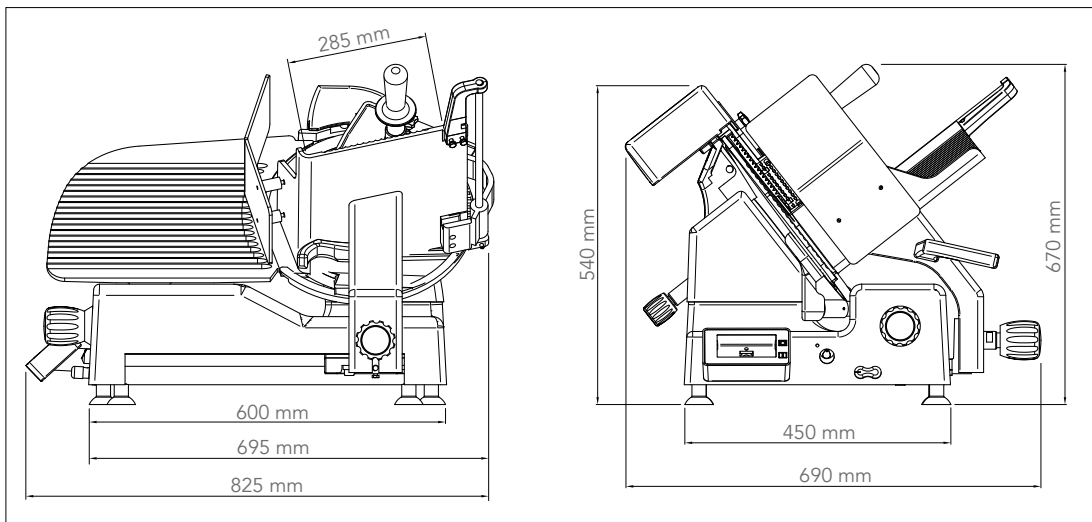
## Semi-Automatic Slicer - Heavy Duty

Model NS350HDS



## Fully Automatic Slicer - Heavy Duty

Model NS350HDA & NS350HDX

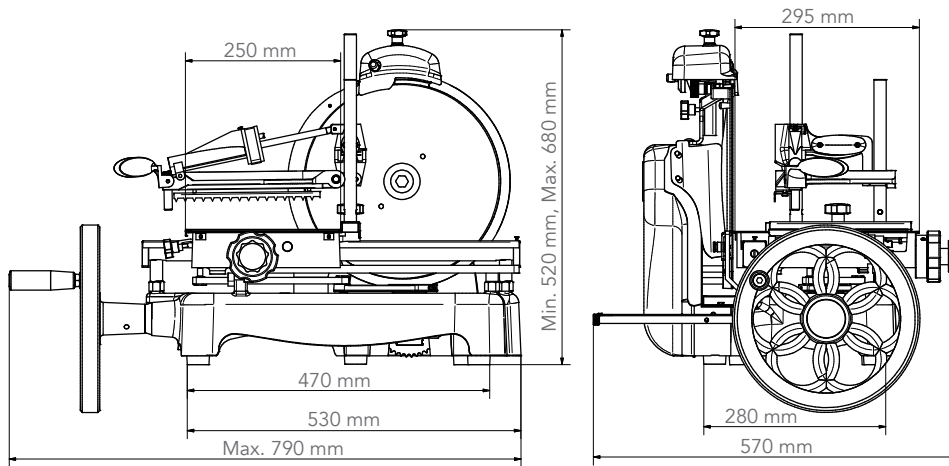


# Dimensions

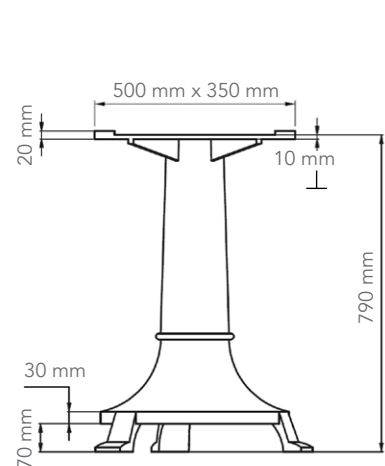
All dimensions are nominal and horizontal dimensions show full carriage movement.

## Retro Flywheel Slicers & Stands

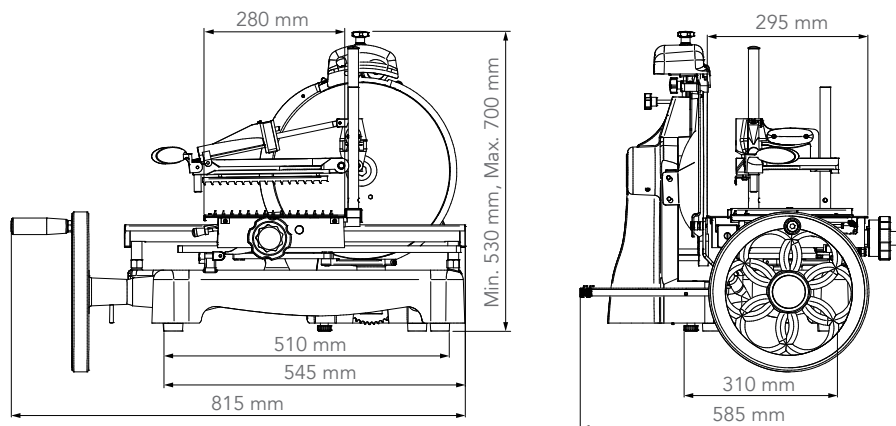
Model NS300M & NS300MB



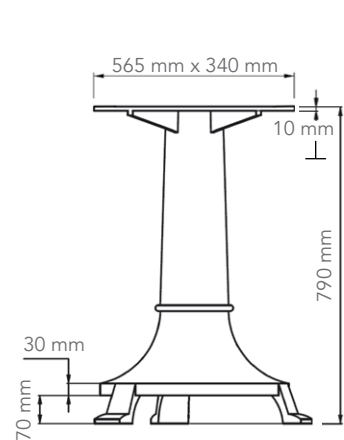
Model NSCIS-300M



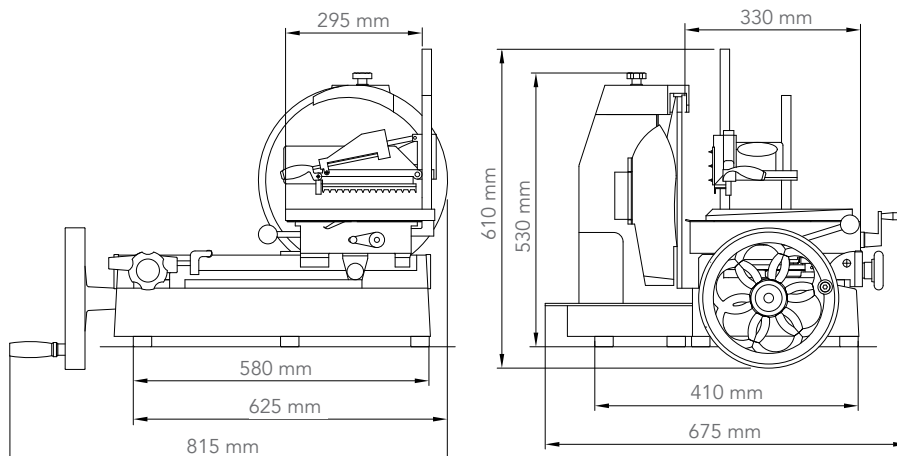
Model NS320M & NS320MB



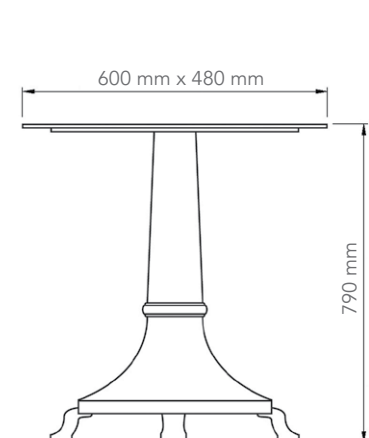
Model NSCIS-320M



Model NS330M



Model NSCIS



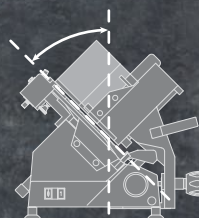


# Features & Specifications

DESCRIPTION		MEDIUM DUTY MANUAL FEED			HEAVY DUTY MANUAL FEED			MANUAL VERTICAL SLICER
MODEL NUMBER		NS220	NS250	NS300	NS250HD	NS300HD	NS350HD	NS300V
Suited to	Type of Establishment	• Restaurants	• Smaller shops	• Deli's	• Restaurants • Deli's	• Restaurants • Supermarkets • Deli's	• Restaurants • Supermarkets • Deli's	• Restaurants • Supermarkets • Deli's
	Output	Smaller volume			Moderate volume			For high volume
	Types of foods	Variety of medium weight meats			Wide variety of heavy to medium weight meats			Shaving & slicing delicate cold cured meats and handles thick cheese
Operation	Machine duty	Medium	Medium	Medium	Heavy	Heavy	Heavy	Heavy
	Operation	Manual	Manual	Manual	Manual	Manual	Manual	Manual
	Carriage movement	Manual	Manual	Manual	Manual	Manual	Manual	Manual
	Angle of feed (See Diagram below)	25°	25°	45°	45°	45°	45°	0° (straight)
	Drive transmission	Belt	Belt	Belt	Belt	Belt	Belt	Belt
Specifications	Blade diameter	220 mm	250 mm	300 mm	250 mm	300 mm	350 mm	300 mm
	Height of cut	155 mm	170 mm	210 mm	170 mm	215 mm	235 mm	210 mm
	Length of cut	185 mm	205 mm	230 mm	235 mm	270 mm	265 mm	265 mm
	Cutting Capacity Diameter	Ø 155 mm	Ø 175 mm	Ø 210 mm	Ø 175 mm	Ø 215 mm	Ø 240 mm	N/A
	Slice thickness	0 - 13 mm	0 - 13 mm	0 - 12 mm	0 - 12 mm	0 - 14 mm	0 - 14 mm	0 - 12 mm
	Blade speed	290 RPM	290 RPM	310 RPM	310 RPM	280 RPM	280 RPM	310 RPM
	Motor power	180 Watts	180 Watts	250 Watts	250 Watts	370 Watts	370 Watts	370 Watts
	Current	< 2 Amps	< 2 Amps	< 2 Amps	< 2 Amps	< 2 Amps	< 2 Amps	< 2 Amps
	Voltage (AC)	230 V	230 V	230 V	230 V	230 V	230 V	230 V
	Net weight	14.5 kg	16 kg	20 kg	19 kg	29 kg	36 kg	31 kg

### Angle of Feed

This diagram depicts the measurement basis for the angle of feed. It shows the angle between the blade and the vertical plane.



Page 4



Page 4



Page 4



Page 5









Page 5



Page 5



Page 6

MANUAL GRAVITY FEED GEAR DRIVEN SLICER	SEMI-AUTOMATIC SLICER	FULLY AUTOMATIC SLICER	RETRO FLYWHEEL SLICER	RETRO FLYWHEEL SLICER	RETRO FLYWHEEL SLICER
NS350HDG	NS350HDS	NS350HDA/X	NS330M	NS300M/MB	NS320M/MB
<ul style="list-style-type: none"> <li>• Large restaurants</li> <li>• Supermarkets</li> <li>• Deli's</li> <li>• Butchers</li> </ul>	<ul style="list-style-type: none"> <li>• Large restaurants</li> <li>• Supermarkets</li> <li>• Deli's</li> <li>• Butchers</li> </ul>	<ul style="list-style-type: none"> <li>• Large restaurants</li> <li>• Supermarkets</li> <li>• Deli's</li> <li>• Butchers</li> </ul>	<ul style="list-style-type: none"> <li>• Retro look vertical slicer for artisan deli's and restaurants</li> </ul>	<ul style="list-style-type: none"> <li>• Retro look vertical slicer for artisan deli's and restaurants</li> </ul>	<ul style="list-style-type: none"> <li>• Retro look vertical slicer for artisan deli's and restaurants</li> </ul>
For high volume	For high volume	For high volume	Smaller output for delicate cold cuts	Smaller output for delicate cold cuts	Smaller output for delicate cold cuts
Wide variety of heavy to medium weight meats. Machine can cut very thick slices	Wide variety of heavy to medium weight meats	Wide variety of heavy to medium weight meats	Shaving prosciutto or very fine cold cut meats	Shaving prosciutto or very fine cold cut meats	Shaving prosciutto or very fine cold cut meats
Heavy	Heavy	Heavy	Heavy	Medium	Heavy
Manual	Semi-automatic, basic electronic selector	Fully automatic, electronic selector with slice counter device	Manual	Manual	Manual
Manual	Two-speed, three length options	Variable speed and length	Manual - carriage moves inwards proportionately to flywheel rotation	Manual - carriage moves inwards proportionately to flywheel rotation	Manual - carriage moves inwards proportionately to flywheel rotation
38°	45°	38°	0° (straight)	0° (straight)	0° (straight)
Gear	Belt	Belt	Manual gear	Manual gear	Manual gear
350 mm	350 mm	350 mm	330 mm	300 mm	320 mm
260 mm	240 mm	250 mm	235 mm	210 mm	225 mm
300 mm	255 mm	280 mm	295 mm	250 mm	280 mm
Ø 260 mm	Ø 235 mm	Ø 250 mm	Ø 235 mm	Ø 210 mm	Ø 225 mm
0 - 22 mm	0 - 14 mm	0 - 20 mm	0 - 1.5 mm	0 - 1.5 mm	0 - 1.5 mm
210 RPM	300 RPM	210 - 280 RPM	NA	NA	NA
370 Watts	390 Watts	570 Watts	NA	NA	NA
< 2 Amps	< 2 Amps	< 3 Amps	NA	NA	NA
230 V	230 V	230 V	NA	NA	NA
48 kg	46 kg	62 kg	62 kg + 70 kg (optional matching stand)	45 kg + 54 kg (optional matching stand)	46 kg + 64 kg (optional matching stand)
					
Page 7	Page 8	Page 9	Page 10	Page 11	Page 12

## Roband Australia Pty Ltd

1 Inman Road,  
Cromer, NSW 2099  
Australia  
Tel: +61 2 9971 1788  
Email: sales@roband.com.au



www.roband.com.au



Exclusively distributed by:

**ROBAND** 

NOAW is a registered  
trademark of Roband  
Australia Pty Ltd.

All standard NOAW products are  
designed to run at 230V per phase,  
50Hz.

All dimensions are nominal only. All  
information contained in this brochure  
should serve as a guide only and is  
subject to change without notice due  
to constant research and development.

© 2025 Roband Australia Pty. Ltd.  
ACN 003 049 063 ABN 34 864 327 105

® is a registered trademark of  
Roband Australia Pty. Ltd.

Brochure updated January 2025.

